

Leslie J. Bisson, MD
June A. & Eugene R. Mindell, MD
Professor & Chair
Department of Orthopaedics, Jacobs
School of Medicine & Biomedical Sciences

Robert H. Ablove, MD

Mark J. Anders, MD

David L. Bagnall, MD

Geoffrey A. Bernas, MD

Allison S. Binkley, MD

Matthew T. Binkley, MD

Craig E. Blum, MD

Lindsey D. Clark, MD

James J. Czyrny, MD

Scott R. Darling, MD

Susan Daoust, MD

Matthew J. DiPaola, MD

Jeremy P. Doak, MD

Thomas R. Duquin, MD

Evgeny A. Dyskin, MD, PhD

Michael R. Ferrick, MD

Marc S. Fineberg, MD

Michael S. Freitas, MD, MSPT

Robert D. Galpin, MD, FRCS

Jennifer Gurske-dePerio, MD

Christopher L. Hamill, MD

Rajiv K. Jain, MD

Joshua L. Jones, MD

Joseph M. Kowalski, MD

Joseph B. Kuechle, MD, PhD

John J. Leddy, MD, FACSM

John M. Marzo, MD

Brian E. McGrath, MD

Christopher E. Mutty, MD

Matthew J. Phillips, MD

Sridhar R. Rachala, MD

Michael A. Rauh, MD

Christopher A. Ritter, MD

Bernhard J. Rohrbacher, MD

Philip M. Stegemann, MD

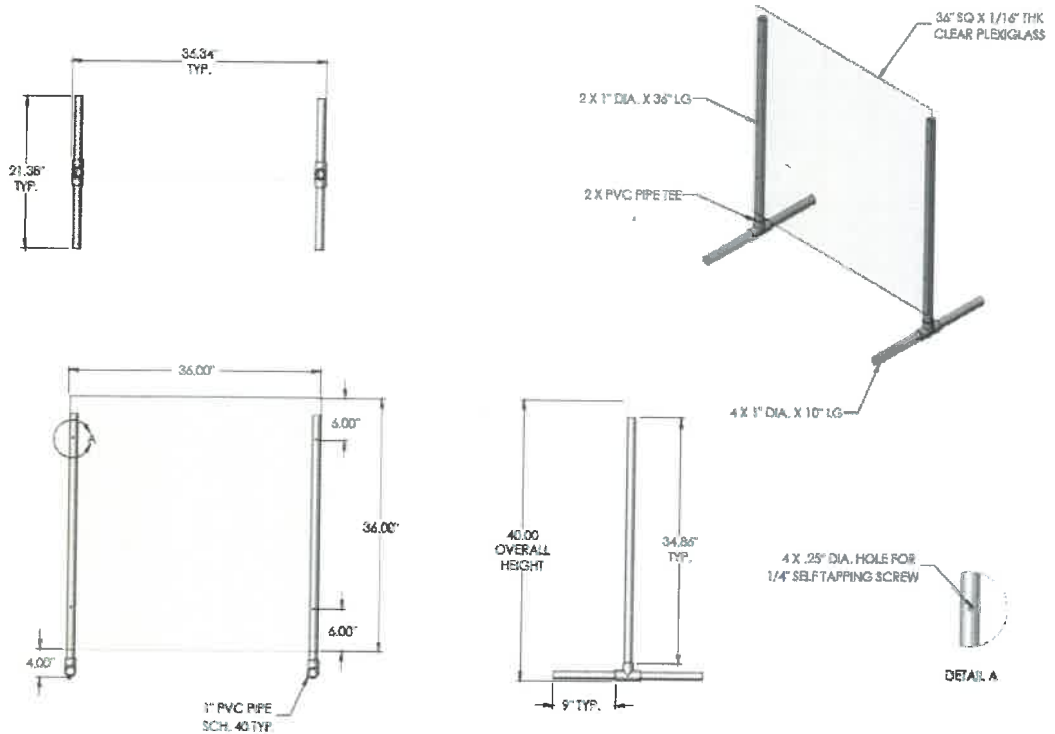
Heidi N. Suffoletto, MD, FACEP

William M. Wind, Jr., MD

UBMD Orthopaedics & Sports Medicine - Plexiglass Protectors

www.ubortho.com

716-204-3200



CAD Drawing provided courtesy of:

Peter R. Suffoletto

PVS Process Equipment, Inc.

www.pvspe.com

Items Needed:

- 1" - Charlotte PVC Pipe
- 1" - Charlotte PVT "Tee" Connector pipe
- Oatey PVC Handy Pack - (Purple Primer and Regular PVC Cement)
- Plexiglass - OP3 (appropriate size for individual need)
 - 24" high x 48" wide
 - 32" high x 44" wide
- Teks #8 - Sharp Point Lath Screws - 1"
- 3M White Duct tape
- Sakrete 70# tube sand



A MEMBER OF



UB|MD
PHYSICIANS' GROUP

Team doctors for:



UBMD Orthopaedics & Sports Medicine - Plexiglass Protectors

www.ubortho.com

716-204-3200

Items Needed:

- 1" - Charlotte PVC Pipe
- 1" – Charlotte PVT "Tee" Connector pipe
- Oatey PVC Handy Pack – (Purple Primer and Regular PVC Cement)
- Plexiglass - OP3 (appropriate size for individual need)
 - 24" high x 48" wide
 - 32" high x 44" wide
- Teks #8 – Sharp Point Lath Screws – 1"
- 3M White Duct tape
- Sakrete 70# tube sand

Instructions:

- In our example, each base required two 10" pieces of PVC. Cut them from a length of PVC pipe.
- Use the standard PVC primer and cement to connect these pieces into the "level" or "flat" portion of the "Tee" connector. This will serve as the base of the assembly.
- In our example, we used a 36" piece of PVC tubing for the upright stands. This height can vary depending upon the size of plexiglass available or desired. Use the same PVC primer, then cement, to connect these pieces together.
- Use the 3M Duct tape to cover the top of the PVC column (for aesthetics)
- Use the 3M Duct tape to cover one end of the PVC foot assembly.
- Fill the foot assembly with tube sand from the remaining open end.
- Use the 3M Duct tape to cover the last open end of the PVC foot assembly.
- While wearing a mask, work with a friend to hold the plexiglass at the appropriate height. Keep in mind the size of the items that you and your staff will be passing beneath the plexiglass. In our example, we kept a 4" gap to allow for paperwork and clipboards to be passed.
- Pre-drill the plexiglass and PVC pipe with a standard drill bit of your choice.
- Secure the plexiglass to the upright PVC stands with the #8 Lath screws. These are ideal, as they have a washer in place to secure the plexiglass. Be careful NOT to overtighten and "crack" the glass.
- Display proudly in your office.

UB | ORTHOCARE
Urgent. Orthopaedic. Experts.

Choose UB OrthoCare Over the ER

 **716.204.3200**